

50 LINE VIDEO REEL

▶▶ GAME DESCRIPTION



Under the sea... Under the sea... life is richer, don't wait and see. Under the sea... 50 Lines is better, just play and see! Cap'n Seamore Cash™ floats to the top of Cadillac Jack's 50 Line series in an aquatic inspired voyage. This game features an abundance of feature rich bonusing in the form of free spins, Vertical Wilds, and double-the-lines. Cash seems to simply float to the top in this exciting sea inspired game.



▶▶ MAIN SCREEN

▶▶ OPERATOR FEATURES

- Features SpeedPLAY™ and PlusPLAY™ technologies
- Available in Class II or Class III
- SAS compliant
- Fixed or progressive jackpots
- Ticket-in / Ticket-out available

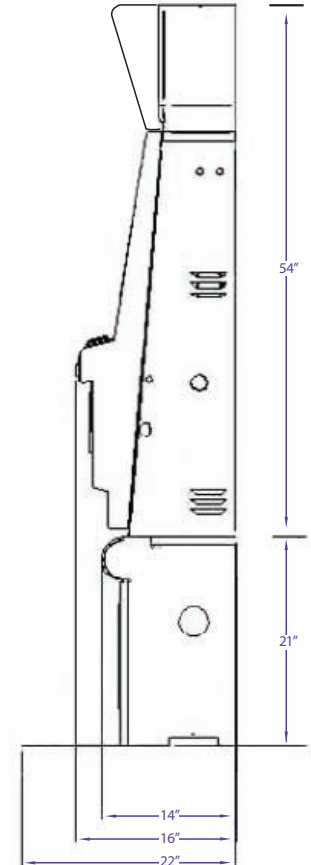
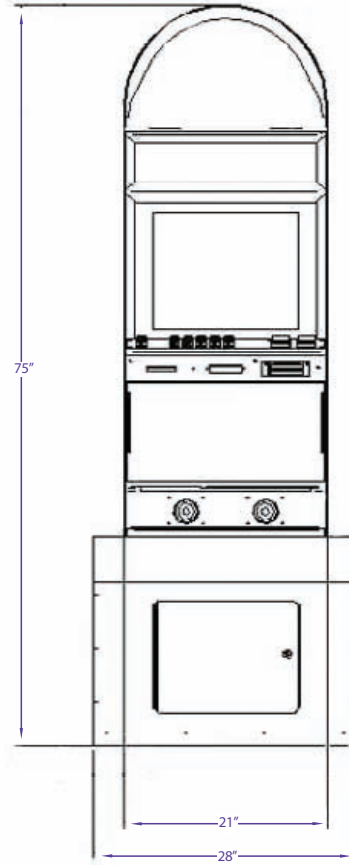
▶▶ BONUS FEATURES

- The Free Spin Bonus awards 4x total credits plus ten free spins and is triggered by the Submarine symbol appearing in scatter formation on reels one, two, and three. Additional free spins can be won during the Free Spin Bonus.
- For the duration of the bonus, three lower paying symbols are converted to the highest paying symbol.
- The Beach Shack symbol is Wild for all symbols except the Submarine symbol. Wild symbols are vertically stacked.



▶▶ BONUS SCREEN

CONFIGURATION: 5 Reel, 50 Line
 DENOMINATIONS: 1¢, 2¢, 5¢, 10¢, 25¢
 BUTTONPANELS: 1, 2, 4, 6, 10 credits/line pair
 MAX BET: 50 - 250 credits
 TOP AWARD: (1-line) \$12.50 - \$62.50
 (50-line) \$625 - \$3,125
 PAYBACK PERCENTAGES: 86% - 95%
 VOLATILITY INDEX: Low
 GAME STYLE: Low Hit Frequency,
 High Average Pay



▶ COMPANY PROFILE

Cadillac Jack is a leading provider of high speed, interactive electronic games and systems to the global gaming industry. Our ability to anticipate evolving market needs and develop innovative, adaptable new games keeps us at the forefront of the markets that we serve. Fueled by substantial investments in R&D, Cadillac Jack consistently delivers high return games and rewarding gaming experiences to our customers.

Cadillac Jack games offer dynamic graphics and sounds, interactive bonus rounds and high player appeal. Available in stand-alone or downloadable, server-based formats, all games integrate into a variety of leading back-office systems and offer progressive options, Ticket-in/Ticket-out or cashless systems, and full accounting and diagnostic tools.

Cabinet Dimensions

Height: 41" without top; 54" with top

Width: 28"

Depth: 14" (single base)
28" (double base)

Base Height: 21"

Weight: 237.5 lbs (uncrated per single unit)

Power Requirements

2.0 amps on 110-120 VAC 60 hz
Circuit Configuration: 6 machines circuit
20 amp with insulated and isolated ground

© 2009 Cadillac Jack, Inc.



2420 Meadowbrook Parkway, Duluth, GA 30096 ph: 770.908.2094 fx: 770.908.1790
800.684.4263 • us-sales@cadillacjack.com • www.cadillacjack.com